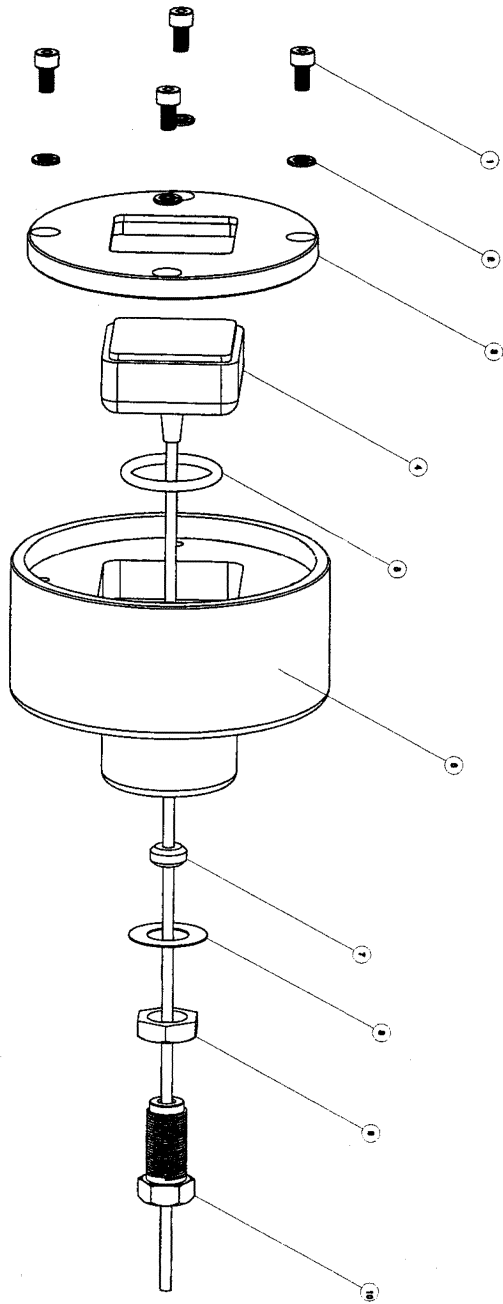


관리본 1
 검토본 2
 3
 4
 5
 6
 7
 8
 9
 10
 11



REV	REASON OF REVISION	DATE	SIGN
▲			
▲			
▲			
▲			

REV. NO.	REVISION DATE	REVISION	REVISION
1		DESIGN	DESIGNER
2		DESIGN	DESIGNER
3		DESIGN	DESIGNER
4		DESIGN	DESIGNER
5		DESIGN	DESIGNER
6		DESIGN	DESIGNER
7		DESIGN	DESIGNER
8		DESIGN	DESIGNER
9		DESIGN	DESIGNER
10		DESIGN	DESIGNER

THE ECHO SOUNDER
 TRANSDUCER TANK ASSEMBLY

APPROVED: [Signature] CHECKED: [Signature] DESIGNED/DRAWING: [Signature]


DATE: 2005.12.27 1/1

Scale: 200% 1:1

Part No. 2005-114

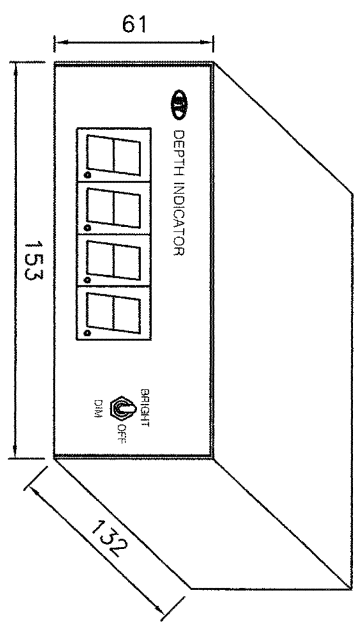
Rev. 1 of 1

SAMYUNG ENC CO., LTD.

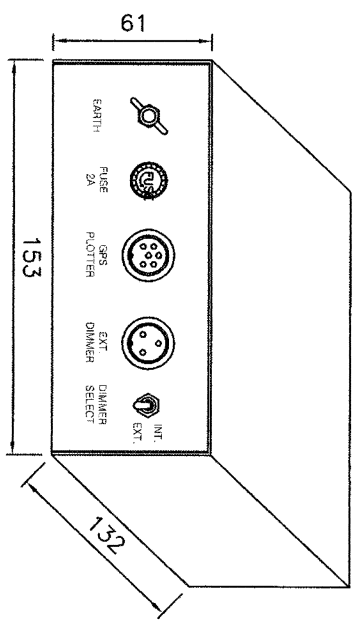


관리분	1	참조분	2	폐기분	3	4	5	6	7	8	9	10	11	12	13
-----	---	-----	---	-----	---	---	---	---	---	---	---	----	----	----	----

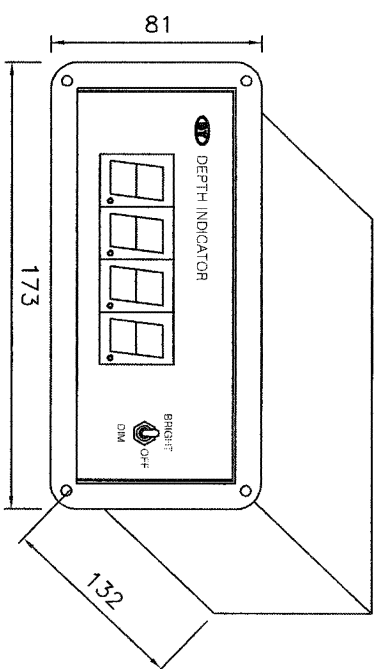
DIM	CLASS	A	B	C	REMARK	MATERIAL	W/T	DATE	COLOR	WHITE
10	↓	0.05	0.2	0.3		METAL	11	2002.12		
30	↑	0.1	0.3	0.5	REV					
50	↑	0.2	0.4	0.6	양식 수정					
150	↑	0.8	0.6	0.8						
300	↑	0.4	0.8	1.0						
500	↑	0.6	1.2	1.5						
500	↑	0.05	1.6	2.0						



FRONT VIEW



REAR VIEW



FRONT VIEW

REAR VIEW

DESK TYPE

FLUSH MOUNT TYPE

※NOTE
WEIGHT : 1 Kg

도면작성		인주영	체안	
확인	A			
	C			
	D			

기기 모델 및 명칭
기관번호 및 명칭

연구소 연구소 연구소 연구소

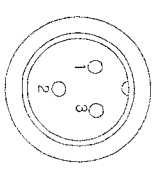
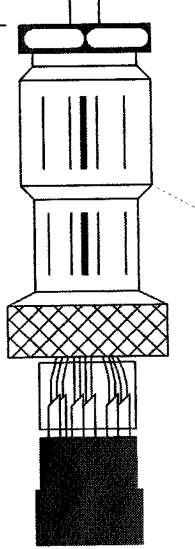
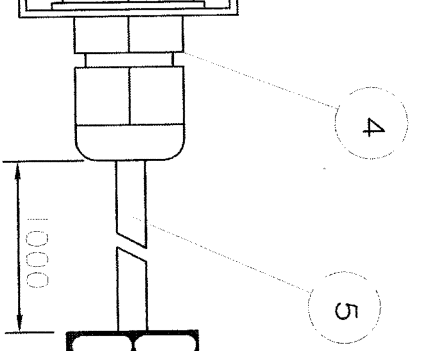
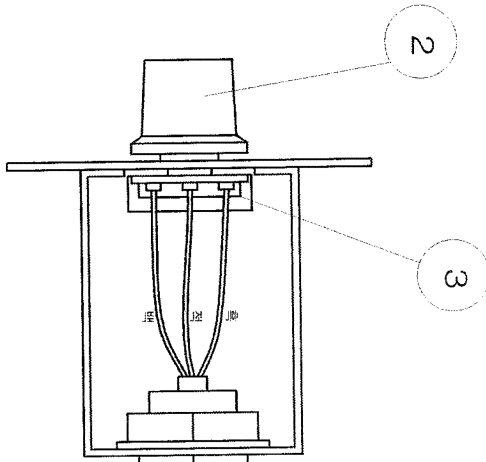
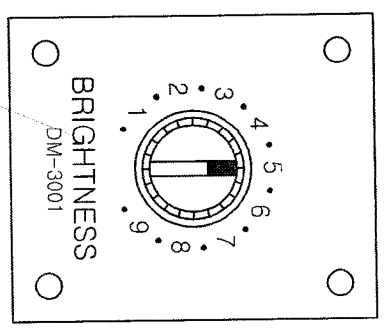
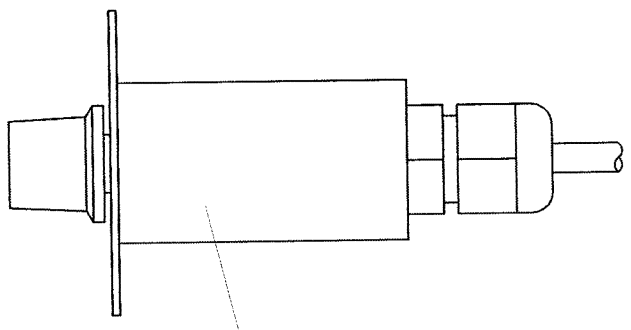
DATE 2002.12.11 TIME 17:32

020901XX

SAMYUNG ENG CO., LTD.

SA

관리본 1 참조본 2 폐기본



- 1. 軸
- 2. 穴
- 3. 凹

DIM	DIMENSION OF TOLERANCE		
	CLASS	A	(B) C
10 ↓	0.05	0.2	0.3
10 ↑	30 ↓	0.1	0.3 0.5
30 ↑	50 ↓	0.2	0.4 0.6
50 ↑	150 ↓	0.3	0.6 0.8
150 ↑	300 ↓	0.4	0.8 1.0
300 ↑	500 ↓	0.6	1.2 1.5
500 ↑		0.05 1.6	2.0

PART NO	PARTICULARS	MAT'L	W/T	REMARK
1	BODY			ES104018
2	16φ KNOB			
3	16φ VR 500ΩB			
4	PG8 SKIN TOP			
5	VCTFB 0.75mm2 3C			
6	SCREEN PRINT	WHITE		ES104017
7	SCN 16-3P			

MATERIAL	METAL	W/T	1 T	COLOR	WHITE
REMARK					
REASON OF REVISION					
DATE SIGN					

Title 10.4 ECHO SOUNDER
DM-3001 LAYOUT

도면인수일	외주 업체란
재 단 크기	도면반출일자
A	도면반출회차
B	
C	
D	

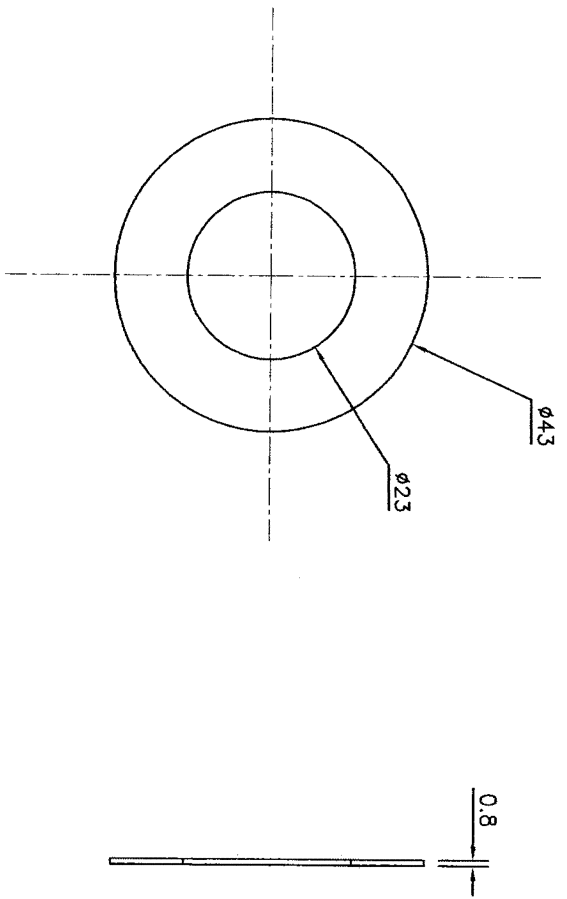
APPROVED	CHECKED	DESIGNED/DRAWING	Size: A4
File: ES104016	Date: 2003.12.15	Unit: mm	Scale: 1:1
DRAWING-NO. ES104016		1 of 1	
SAMYUNG ENC CO., LTD.			




REV	REASON OF REVISION	DATE	SIGN
△			
△			
△			
△			
△			

PART NO	PARTICULARS	MAT'L	W/T	REMARK

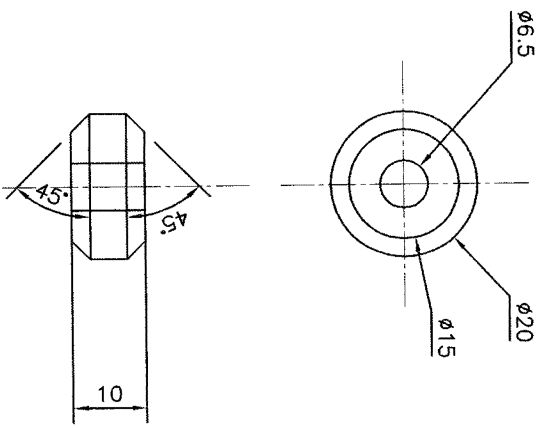
Note)
Material: Stainless



Title		ECHO SOUNDER		Rev	
TRANSDUCER TANK CABLE LOCKING WASHER					
APPROVED	CHECKED	DESIGNED/DRAWING	SIZE	A4	
		T.H.KWON	Drawing No.	F004011	
File : TRANSDUCER TANK WASHER	Date : 2003.12.11	Unit : mm	Scale : 1:1	1 of 1	
SAMYUNG ENC CO., LTD.					

1 2 3 4 5 6 7 8 9

관리본 참조본 폐기본



REV	REASON OF REVISION	DATE	SIGN
△			
△			
△			
△			
△			

PART NO	PARTICULARS	MAT'L	W/T	REMARK

Note)
 Material: Rubber
 Solidity: 50
 Colour: Black

Title: ECHO SOUNDREER
 CABLE DISCHARGE RUBBER PACKING 6.5

APPROVED: _____ CHECKED: _____

DESIGNED/DRAWING: T.H.KWON

Date: 2003.12.11 Unit: mm Scale: 1:1

Drawing No: F004012
 Size: A4
 1 of 1

Samyung ENC CO., LTD.

REV: _____



권리본 참조본 폐기본

1 2 3 4 5 6 7 8 9

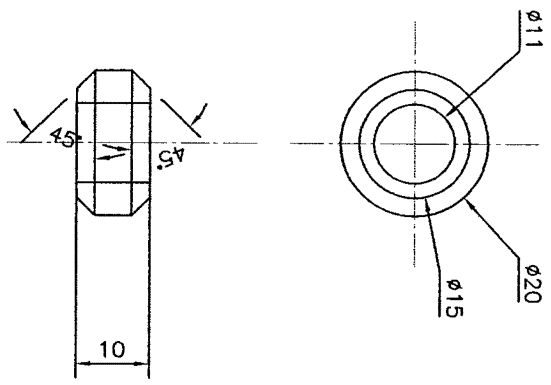
REV REASON OF REVISION DATE SIGN

△		
△		
△		
△		
△		

PART NO	PARTICULARS	MAT'L	W/T	REMARK

Note)

Material: Rubber
 Solidity: 50
 Colour: Black



Title
ECHO SOUNDREER
CABLE DISCHARGE RUBBER PACKING 11

APPROVED CHECKED DESIGNED/DRAWINGS Size : A4
 T.H.KWON FFD04013
 File : TRANSDUCER_TANK_RUBBER Date : 2003.12.11 Unit : mm Scale : 1:1 1 of 1

SAMYUNG ENC CO., LTD.



도면인수인	인 주 업 체 란
제 단 크 기	도면비출입기
A	도면비출회시영
B	

E

D

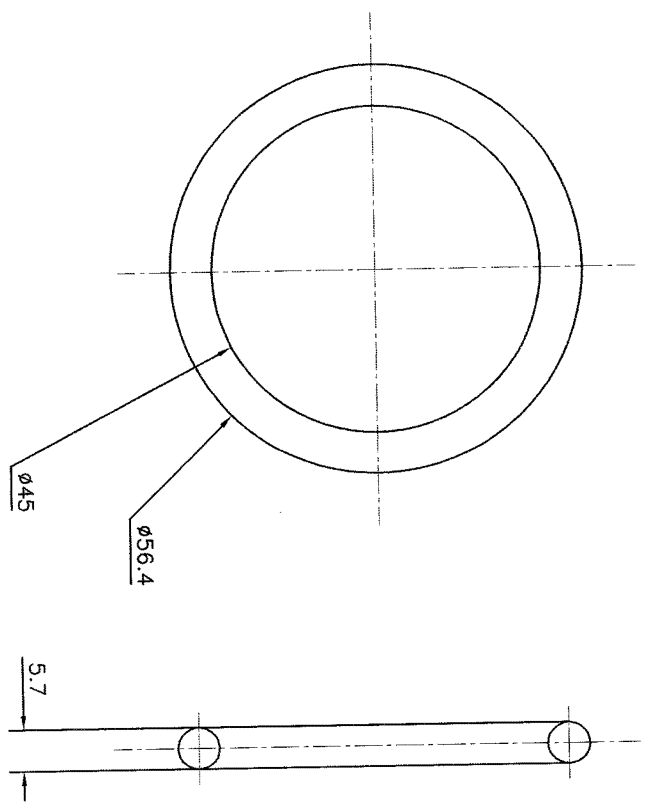
C

B

A

Rev

1 2 3 4 5 6 7 8 9
 관리본 참조본 폐기본



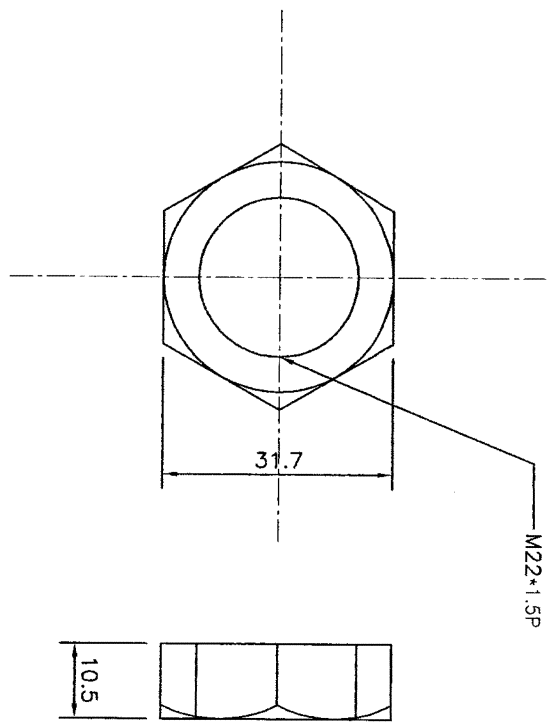
REV	REASON OF REVISION	DATE	SIGN
△			
△			
△			
△			

PART NO	PARTICULARS	MAT'L	W/T	REMARK

Note)
 Material: Silicon
 Solidity: 50
 Colour: Orange

Title			
ECHO SOUNDER			
TRANSDUCER TANK DISCHARGE RUBBER RING			
APPROVED	CHECKED	DESIGNED/DRAWING	SIZE : A4
	T.H.KWON		DRG. NO. : FF004010
File : TRANSDUCER TANK O RING	Date : 2003.12.11	Unit : mm	Scale : 1=1
SAMYUNG ENG CO.,LTD.			1 of 1
			Rev.





REV	REASON OF REVISION	DATE	SIGN
△			
△			
△			
△			
△			

PART NO	PARTICULARS	MAT'L	W/T	REMARK

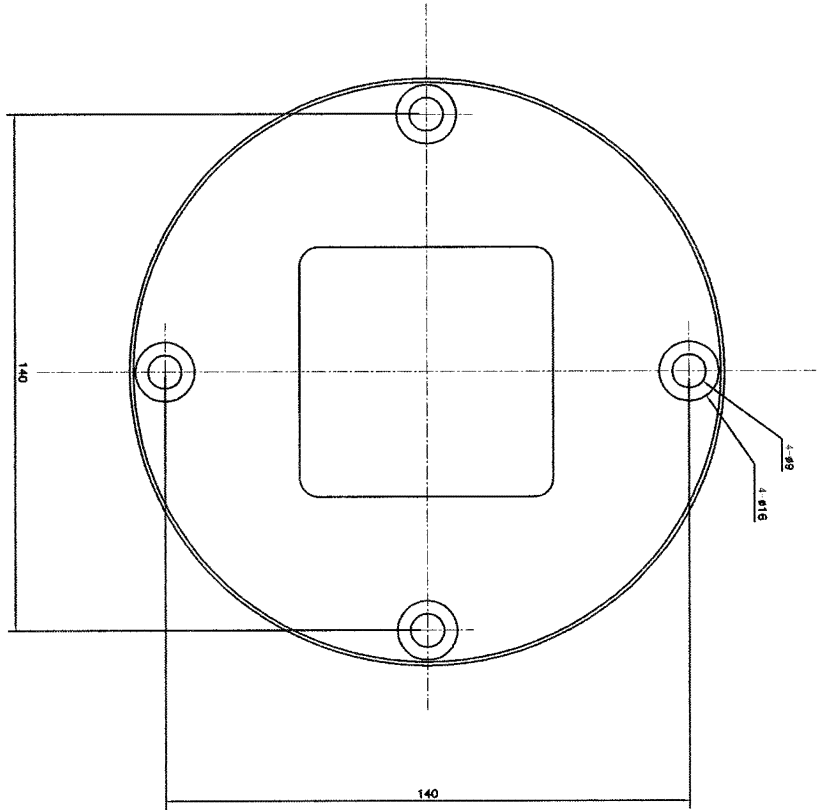
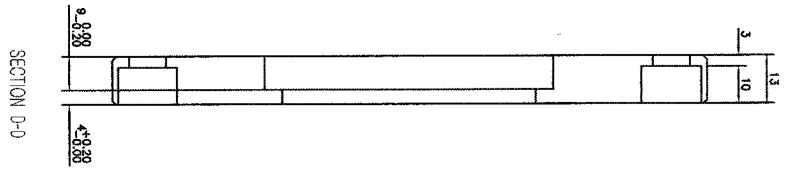
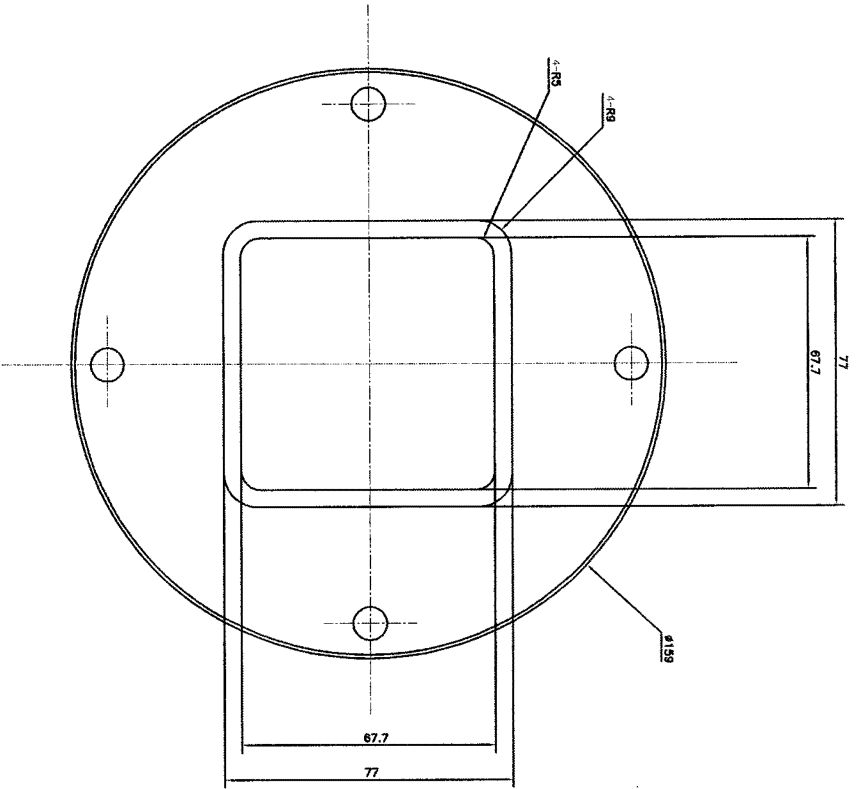
Note)
Material: SUS303 Stainless

Title: ECHO SOUNDER
TRANSDUCER TANK CABLE LOCKING NUT

APPROVED	CHECKED	DESIGNED/DRAWING	Size: A4
		T.H.KWON	Drawing-No: FF004009
File: TRANSDUCER_TANK_NUT	Date: 2002.12.11	Unit: mm	Scale: 1:1

1 of 1

SAMYUNG ENC CO., LTD.



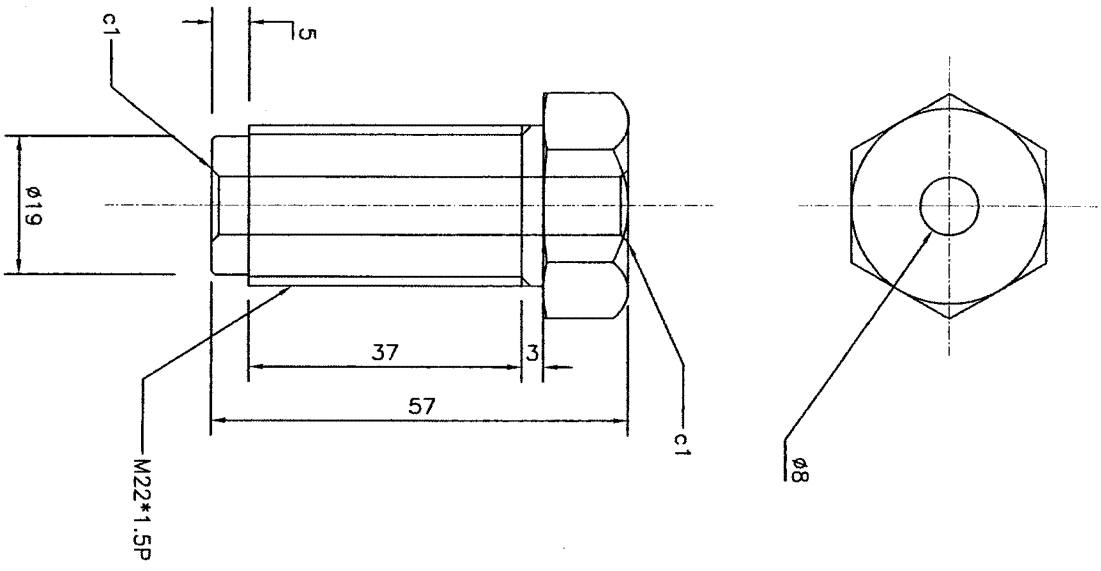
Note)
 Material : SUS303 Stainless
 Surface Treatment : anti-rust coating treated
 * Round off a corner

REV	REASON OF REVISION	DATE SIGN
△		
△		
△		
△		

PART NO	PARTICULARS	MATL	W/T	REMARK

ECHO SOUNDER
 TRANSDUCER TANK BODY COVER
 APPROVED: T.H.KWON
 DATE: 2013.12.11
 DRAWING NO: FFC020007
 SCALE: 1:1
 SAMYUNG ENG CO., LTD.






REV	REASON OF REVISION	DATE	SIGN
△			
△			
△			
△			

PART NO	PARTICULARS	MAT'L	W/T	REMARK

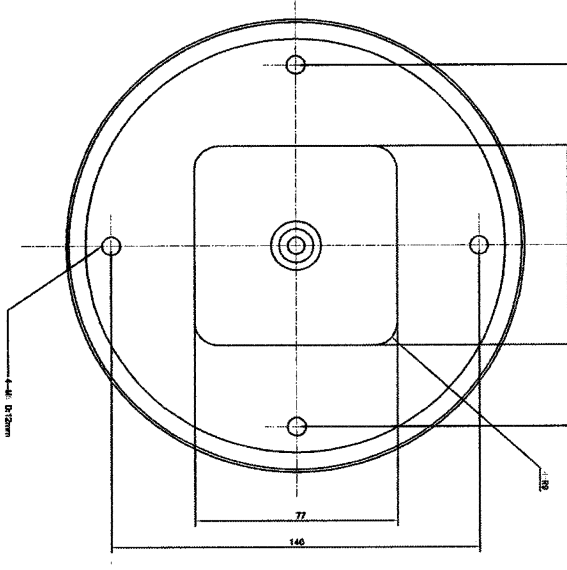
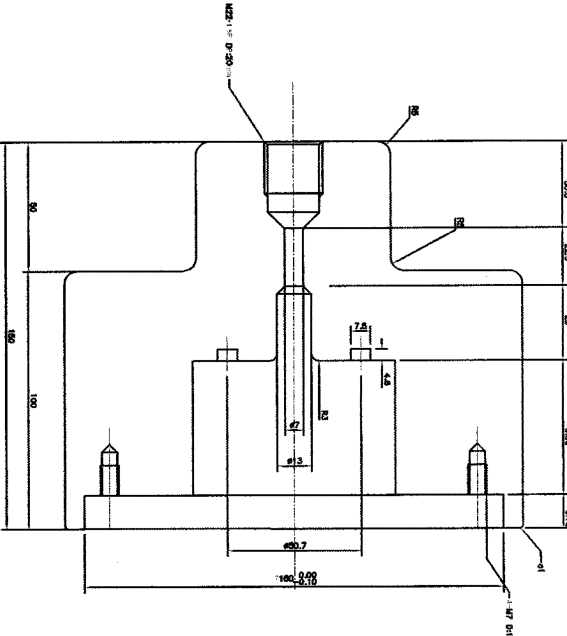
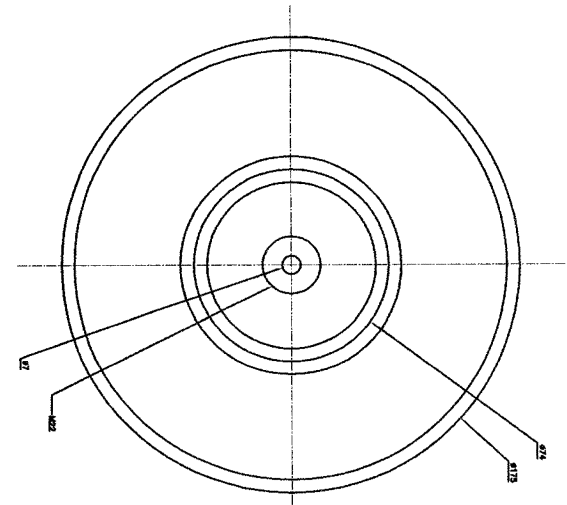
Note)
 Material : SUS303 Stainless
 Round off a corner

Title				Rev.
ECHO SOUNDER TRANSDUCER TANK CABLE LOCKING BOLT				
APPROVED	CHECKED	DESIGNED/DRAWING	Size : A4	
		T.H.KWON	DRAWING-NO FF004008	
File : TRANSDUCER_TANK_BOLT	Date : 2003.12.11	Unit : mm	Scale : 1=1	1 of 1
SAMYUNG ENG CO.,LTD.				

권리본 1 원초본 2 폐기본 3 4 5 6 7 8 9 10 11 12 13

REV	REASON OF REVISION	DATE	SIGN
▲			
▲			
▲			
▲			

PART NO.	PARTICULARS	DATE	WIT	REMARK



(Note)
 Material: SS41 Steel
 Surface Treatment: Phosphated coating treatment
 * Round off a corner

ECHO SOUNDER		50KHZ TRANSDUCER TANK BODY	
DESIGNED BY T.H.KWON		CHECKED BY T.H.KWON	
DRAWN BY T.H.KWON		DATE 2011.02.23	

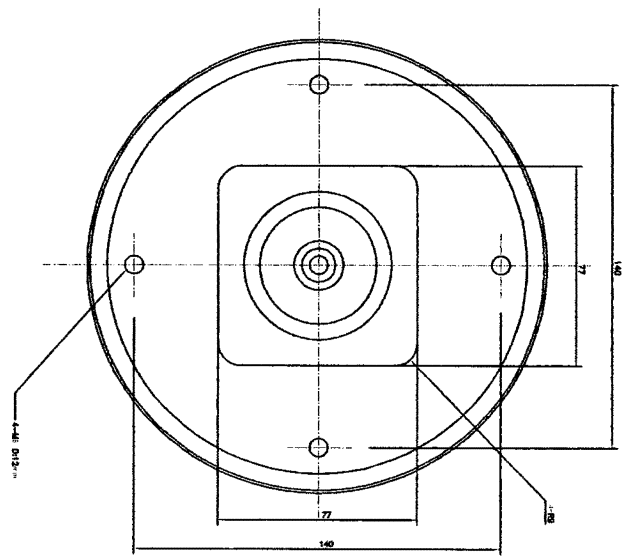
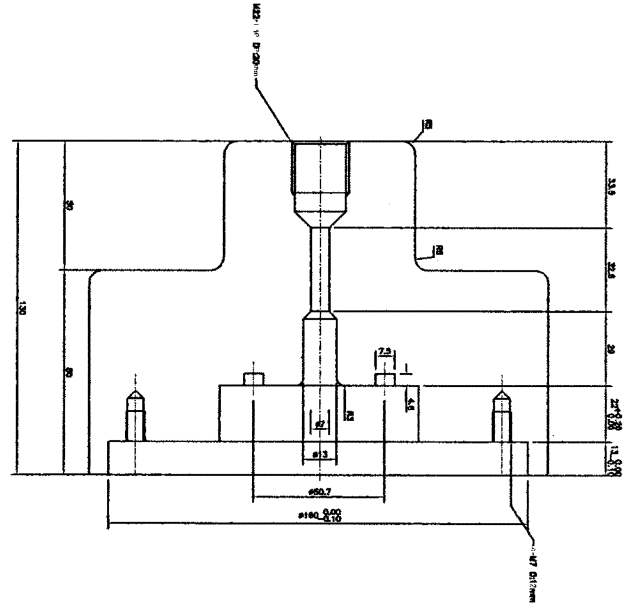
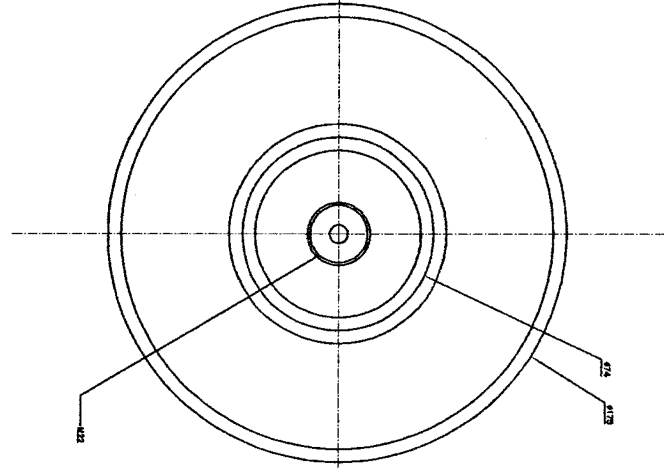
SAMYUNG ENG. CO., LTD.

권리원 원주원 배기원

1 2 3 4 5 6 7 8 9 10

REV	REASON OF REVISION	DATE	SIGN
△			
△			
△			
△			

PART NO.	PARTICULARS	MATERIAL	QTY	REMARKS



Note)

Material: SS41 Steel
 Surface Treatment: Phosphated coating treatment
 * Round off a corner

ECHO SOUNDER
 200KHZ TRANSDUCER TANK BODY
 T.H. KWON
 SAMYUNG ENG CO., LTD.

권인일 | 원조일 | 폐기일

1

2

3

4

5

6

7

8

9

10

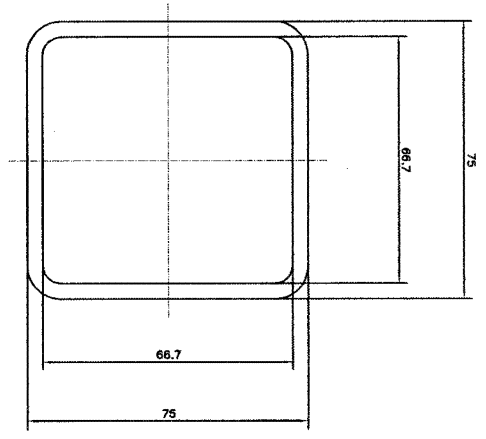
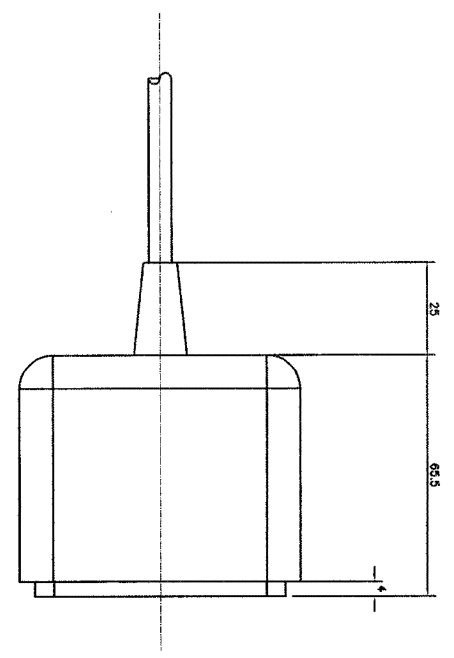
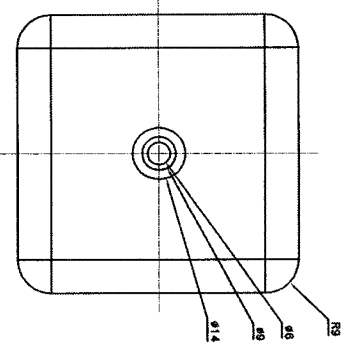
11

12

13

REV	REASON OF REVISION	DATE SIGN
△		
△		
△		
△		


PART NO	PARTICULARS	MATL	W/T	REMARK



ECHO SOUNDER
RUBBER TRANSDUCER 50KHZ SQUARE

APPROVED	CHECKED	DESIGNED/DRAWN	SIZE
		T. H. KWON	A2
DATE		SCALE	1:1
2003.12.11		2003.12.11	
2003.12.11		2003.12.11	
2003.12.11		2003.12.11	

SAMYUNG ENC CO., LTD.



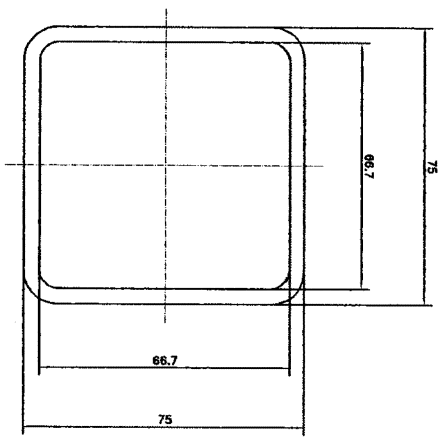
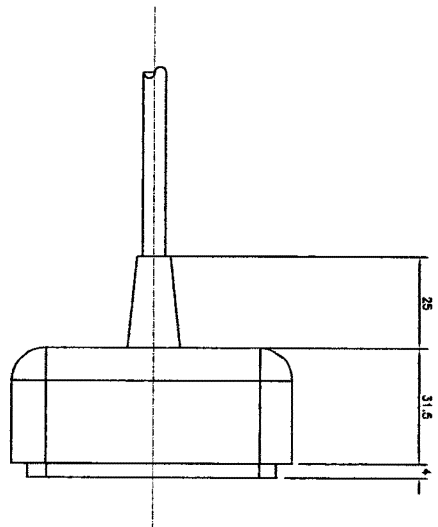
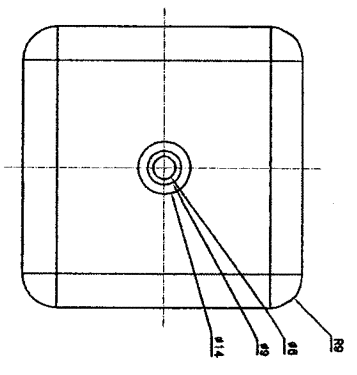
관리본 | 검토본 | 승인본

2 | 3 | 4 | 5 | 6 | 7 | 8 | 9 | 10 | 11

12 | 13

REV	REASON OF REVISION	DATE SIGN
△		
△		
△		
△		

PART NO.	PARTICULARS	MATERIAL	W/F	REMARK



Title: ECHO SOUNDER
 RUBBER TRANSDUCER 200KHz SQUARE

APPROVES	DESIGNED/DRAWING	DATE
T.H.KWON	T.H.KWON	2004.12.11

DESIGNED: T.H.KWON
 DRAWING NO: FF002004
 DATE: 2004.12.11

SAMYUNG ENG CO., LTD.

