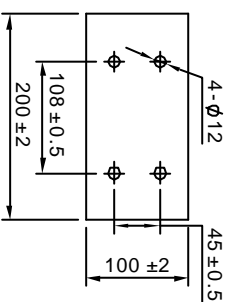
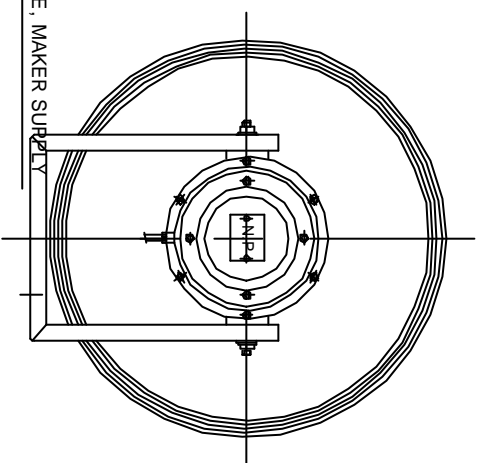
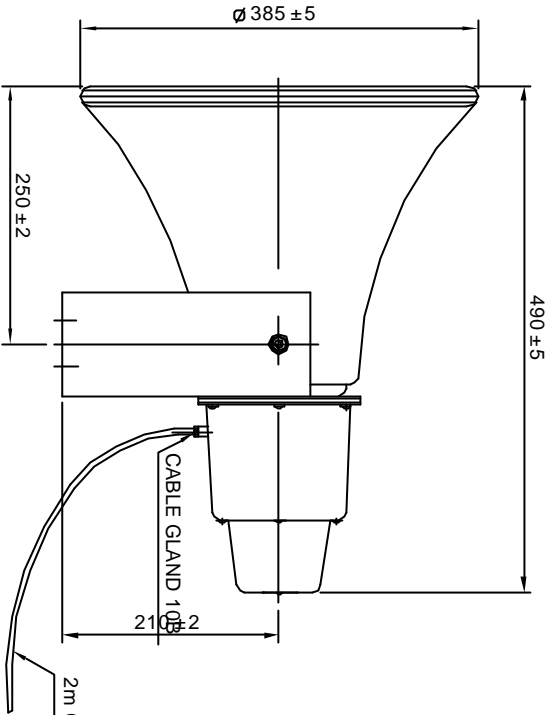


관리본 참조본 폐기본

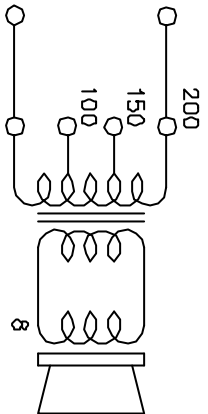
1 2 3 4 5 6 7 8 9

DIMENSION OF TOLERANCE			MATERIAL	METAL	W/T	1 T	COLOR
DIM	CLASS	A	B	C	REMARK	REASON OF REVISION	DATE
10 ↓	0.05	0.2	0.3		도금 후 도색		
30 ↓	0.1	0.3	0.5		REV		
50 ↓	0.2	0.4	0.6		양식 수정		2002.3.2 연구소
150 ↓	0.3	0.6	0.8				
300 ↓	0.4	0.8	1.0				
500 ↓	0.6	1.2	1.5				
500 ↓	0.05	1.6	2.0				



MODEL	CAP.	LINE IMP.
PH-50B	30W	1500ohm
PH-50A	50W	1000ohm

- NOTE.
1. SPEAKER MATERIAL: ALUMINIUM
 2. BRACKET THICKNESS: 2t
 3. WEIGHT: App. 6.8kg
 4. COLOR: 7.5BG 7/2



도면수령	제 단 크기	도면발주처	도면작성처
A	C		
B	D		

TITLE: W.T 50W HORN SPEAKER, PH-50

APPROVED: Chol, U.K CHECKED: DESIGNER/DRAWN: Song, J.H Scale: 1/1

FILE: CHU-FORMING-43.108 DATE: 2002.3.1 LINE: 1/1 Scale: 1/1

SAMYUNG ENC CO., LTD.

Rev: A

