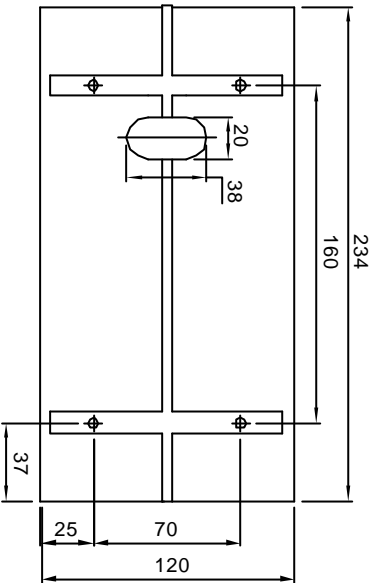
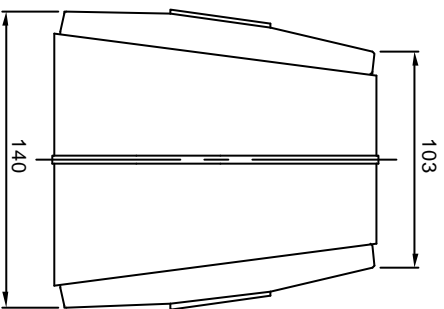
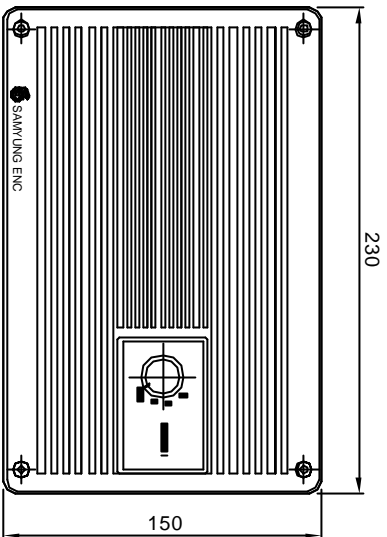


관리본 참조본 폐기본

1 2 3 4 5 6 7 8 9

DIMENSION OF TOLERANCE			MATERIAL	METAL	W/T	1 T	1 T	COLOR
DIM	CLASS	A	B	C	REMARK	REASON OF REVISION	DATE	SIGN
10 ↓	10 ↓	0.05	0.2	0.3	도금 후 도색			
30 ↓	30 ↓	0.1	0.3	0.5	REV			
30 ↑	50 ↓	0.2	0.4	0.6	양식 수정		2002.3.2	연구소
50 ↑	150 ↓	0.3	0.6	0.8				
150 ↑	300 ↓	0.4	0.8	1.0				
300 ↑	500 ↓	0.6	1.2	1.5				
500 ↓		0.05	1.6	2.0				



NOTE.

1. WEIGHT = APPR. 0.8Kg

MODEL	CAP.	LINE IMP.
PC-2FV	2W	2400ohm
PC-5FV	5W	1200ohm

도면인쇄일		도면출력자	
제 단 크기		도면출력시행	
A	C		
B	D		

Title				N.W.T DOUBLE FACE SPEAKER, PC-2DV		Rev. A	
APPROVED	CHECKED	DESIGNED/DRAWN	SIZE	AS			
Choi, U.K		Song, J.H	020301XX				
Date : 2002.3.1		Unit : mm		Scale : 1/1			
Fig : 000-200000-0000				1 of 2			
SAMYUNG ENC CO., LTD.							

