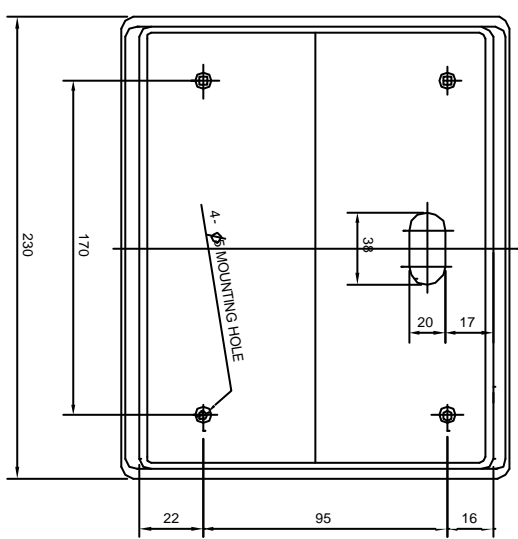
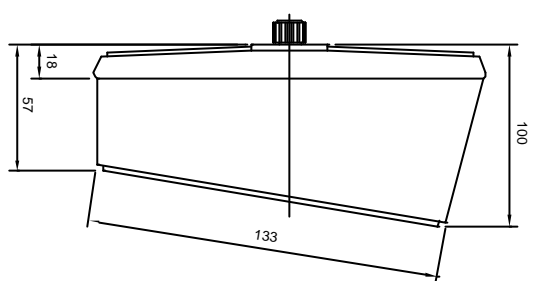
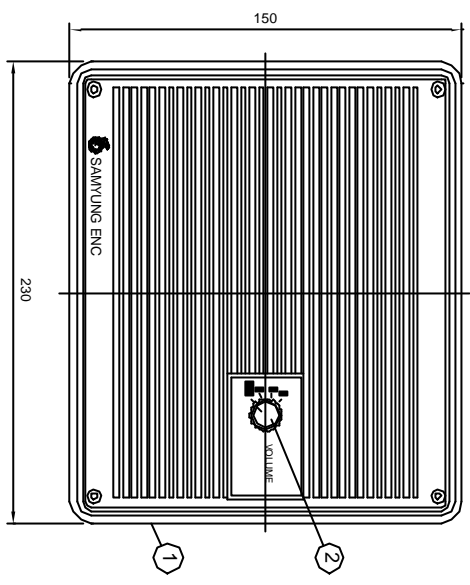


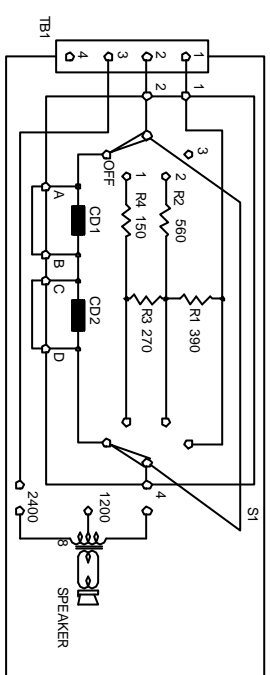
관리본 참조본 폐기본

1 2 3 4 5 6 7 8 9

DIMENSION OF TOLERANCE			MATERIAL	REMARK	REASON OF REVISION	DATE	SIGN
DIM	CLASS	A	B	C			
10 ↓	30 ↓	0.1	0.3	0.5	REV	양식 수정	2002.3.2 연구소
30 ↑	50 ↓	0.2	0.4	0.6			
50 ↑	150 ↓	0.3	0.6	0.8			
150 ↑	300 ↓	0.4	0.8	1.0			
300 ↑	500 ↓	0.6	1.2	1.5			
500 ↓		0.05	1.6	2.0			



REAR VIEW



MODEL	CAP.	LINE IMP.
PC-20V A	2W	2400ohm
PC-20V B	5W	1200ohm

Cabin & Passage Speaker, PC-20V

Rev. A

도면수일		제 단 크기	
A		C	
B		D	

APPROVED	CHECKED	DESIGNED/DRAWN	SIZE	AS
Choi, U.K		Song, J.H	020301XX	
FIG : QAO-FORMING-ALING	DATA : 2002.3.1	UNIT : mm	Scale : 1/1	1 of 2
SAMYUNG ENC CO., LTD.				