

## FEATURES

- Adoption of 10.4" TFT LCD color display enables better resolution.
- WGS-84 geodetic system automatically enables all the geodetic lines to automatically convert.
- Smooth conversion to other displays prevents the map from disappearing while ZOOM IN/OUT.
- Simultaneously adjustable LCD back light for night navigation.
- Available to use SD Card for user's data backup and program update.
- Highly efficient for fishing work by marking fishing zones.
- Latest electronic chart with wide range of updated technology offering a variety of information such as slime, rock, depth, trench, EEZ line, underwater cable line and the like.
- Combination with SAMYUNG autopilot system offers perfect autopiloting.
- Straight pursuit and ZOOM IN/OUT enabling users to make exact calculation of fish group at the sea bottom (NAVIS 5100F)
- Use of 2(two) frequencies in common offering better judgment on minute fish groups.(NAVIS 5100F)

## SPECIFICATION

CONTENT		MODEL	NAVIS 5100	NAVIS 5100F
GPS RECEIVER	Receiving frequency		L1 1575.42MHz(C/A CODE)	
	Receiving channel & tracking satellite		16 channels & 16 satellites	
	Receiving type		Digital 16 channel multi tracking type	
	Receiving sensitivity		-143dBm	
	Accuracy Velocity		10M 2D RMS(HDOP<2) (SA OFF) / 0.1kt RMS (HDOP<2) (SA OFF)	
PLOTTER	Display		10.4" COLOR VGA TFT LCD	
	Resolution		640×480 PIXELS	
	Projection		Mercator drawing	
	Effective range		below 85° of latitude	
	Way point		20,000 points	
	Effective range		0.25 mile ~ 5,000 mile(1/2000~1/37,500,000)	
	Tracking memory interval		1sec~60minute(0.01~9,99NM) set-up	
	Tracking capacity		20,000 points	
	Mark		Event mark : 21 kinds / Mark capacity : 10,000 points /capacity for user's drawing of shoreline : 8,000points 16 land coloring capacity for user's marking of shoreline : 1,000points / capacity for user's character of shoreline : 1,000points capacity for tracking marking : 1,000points / capacity for memory of destination : 1,000points capacity for memory of route : 20 routes (20 points/1 route)	
	Display mode		normal, true-motion, course-up, north-up, head-up function	
	Alarm		1)arriving alarm 2)off-course alarm 3)anchor alarm 4)boundary alarm	
	Temperature		Antenna : -40℃ ~ +50℃, Main unit : -10℃ ~ +50℃	
	Interface		SAMYUNG, NMEA0183, FURUNO(CIF), JRC	
	Power supply		DC12V~36V, 40W	
	FISH FINDER (NAVIS 5100F)	Operating frequency		50/200KHz 600W(dual)
Display color			16colors	
Range of depth			5~1,000M(depth of water,automatic output power control)	
Range of bottom			enlargement of tracing : 10, 20, 40, 80M, enlargement of flattened bottom : 2.5, 5, 10, 20, 40, 80M, partial enlargement : 5, 10, 20, 40, 80M	
Shift speed			Stop, low speed, medium speed, fast speed, super fast speed	
Information			depth, schools of fish, water temperature	
Display of function			Sensitivity, attenuation, transmitting output, time marking, depth, variable scales, color patterns	

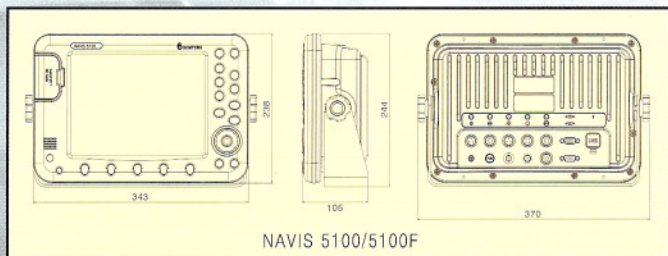
## COMPONENT / DIMENSIONS

### STANDARD

- GPS LCD plotter 1SET
- GPS antenna 1EA
- Transducer for (NAVIS 5100F) 1EA
- Installation materials, spare parts, manual 1LOT

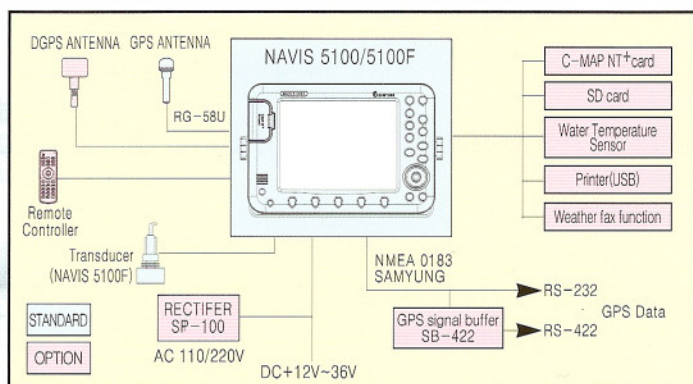
### OPTION

- SD Card
- C-MAP NT+
- Remote Controller
- Rectifier



NAVIS 5100/5100F

## CONFIGURATION



\* Specification is subject to change without pre-notice



**Head Office** : 1123-17, Dongsam-Dong, Youngdo-Gu, Busan, Korea, 606-083  
 Tel : 82-51-601-5532(Rep.) Fax : 82-51-413-4446  
**A/S Center** : 65-20, 2-Ga Namhang-Dong, Yungdo-Gu, Busan, Korea, 606-032  
 Tel : 82-51-601-5570~4(Rep.) Fax : 82-51-416-5515  
 Http : //www.samyungenc.com



ISO 9001:2000 / KS A 9001:2001  
 Certificate No. : RQM0645



KOSDAQ Listed Company